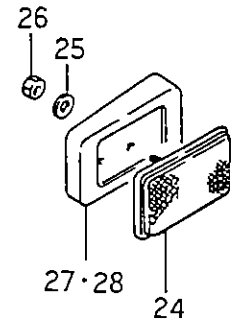
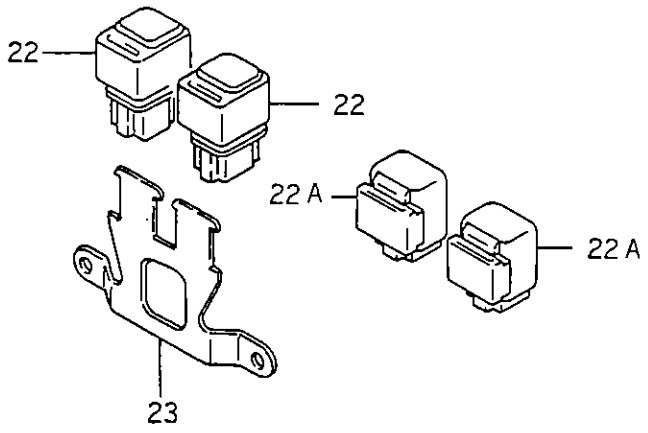
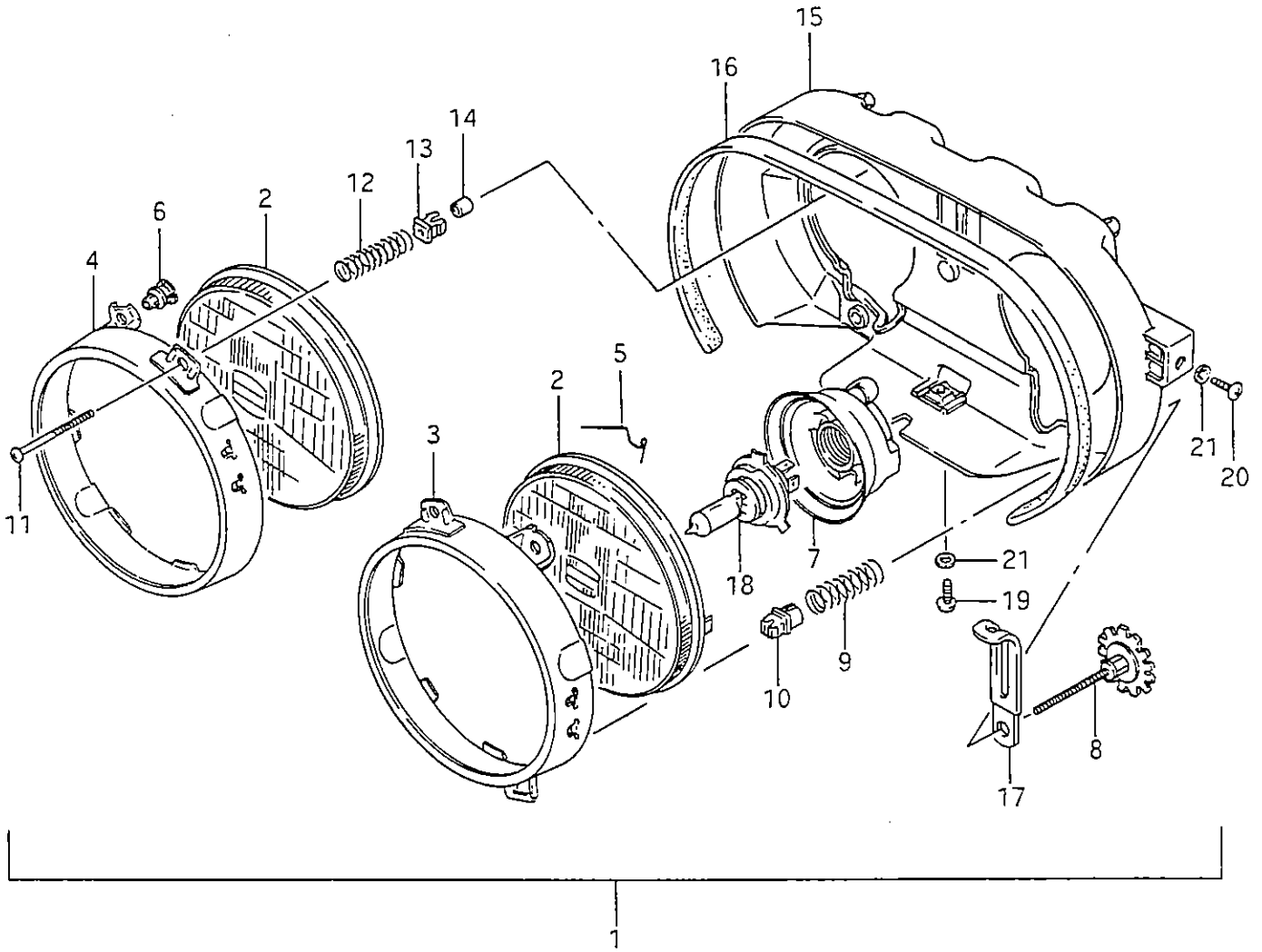


FIG. 27



FWD

1	35100-06B30-999	HEADLAMP ASSY	1	
2	35121-06B30	.UNIT	1	
3	35126-27A00	.RING, RETAINING LH	1	
4	35127-27A00	.RING, RETAINING RH	1	
5	35128-46720	.SPRING. SUPPORT	6	
6	35162-04A00	.BEARING, SPHERICAL	2	
7	35173-20A01	.COVER, SOCKET	2	
8	35153-27A00	.SCREW, ADJUSTING	2	
9	35154-04A00	.SPRING	2	
10	35152-27A00	.NUT	2	
11	35151-04A00	.SCREW, ADJUSTING	2	
12	35154-04A00	.SPRING	2	
13	35155-04A00	.NUT	2	
14	35158-43400	.CAP, SCREW	2	
15	35240-06B00	.HOUSING	1	
16	35242-27A00	.GASKET	1	
17	09404-05401	.CLAMP	2	
18	09471-12060	BULB (12V,60/55W)	2	
19	02112-06166	SCREW	1	
20	02112-06106	SCREW	2	
21	08321-21066	LOCK WASHER	3	
22	38640-06B00	RELAY ASSY, HEADLAMP	2	MODEL G/H
22A	38640-06B10	RELAY ASSY, HEADLAMP	1	MODEL J
23	38641-06B00	BRACKET, RELAY	1	
24	35950-02100	REFLEX REFLECTOR, FRONT SIDE	2	
25	08322-21055	WASHER	2	
26	08310-11058	NUT	2	
27	35954-27A00	SPACER, RH	1	
28	35955-27A00	SPACER, LH	1	