



2007 Mitsubishi Fuso

FG140

4x4



It's got your **drive**,
at all **four** wheels.

FG140_{4x4}

4-wheel drive dependability never had so much style.



The FG140 model brings dramatic styling and never-say-die dependability to 4-wheel drive. It combines a ruggedly engineered cab with Mitsubishi Fuso's longstanding reputation for superior reliability. Its turbocharged 4-cylinder diesel engine is

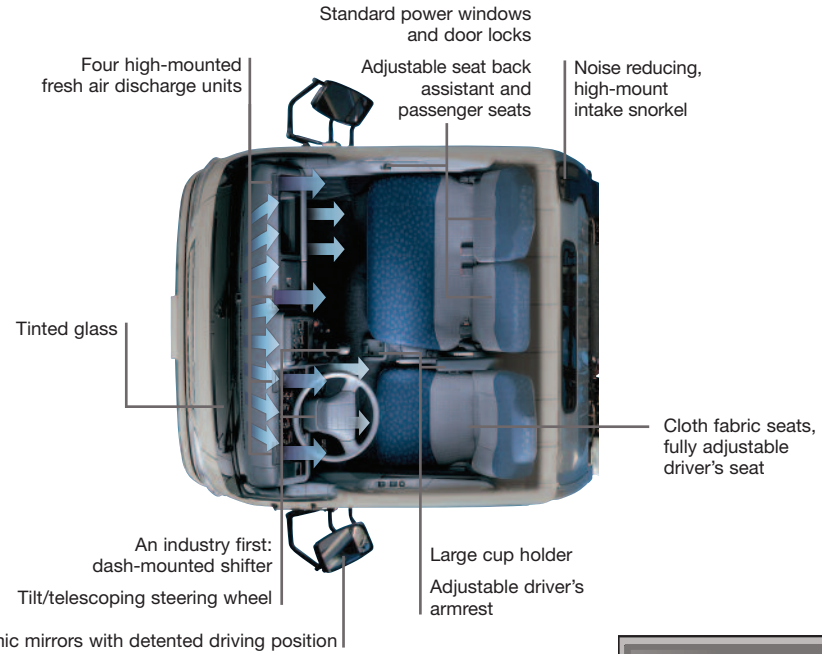
quiet, offers plenty of torque and is mated to a smooth-shifting 5-speed manual transmission. A rugged 2-speed (hi/low range) transfer case provides improved traction for construction sites, snow plowing and other off-road chores. Halogen headlamps offer superior visibility. Inside, the fully trimmed cab has plenty of head, leg and elbow room, easy-to-read instrumentation, tilt/telescoping steering wheel, adjustable seating, dash-mounted shifter and much, much more. The FG140: still the only 4x4 cabover in the industry.



FG Features

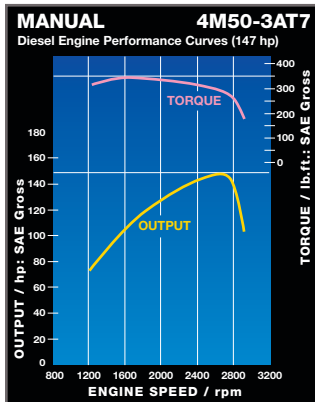
- Easy-to-read instrument panel
- Dash-mounted shifter maximizes legroom
- Tilt/telescoping steering wheel with one-touch quick release
- 3-speed wet arm windshield wiper
- Optional split-view driver and passenger mirrors





Safety

- Crush bar in each door
- Energy-absorbing steering wheel
- Daytime running lights
- ABS hydraulic, self-adjusting drum brakes, all wheels
- High-visibility halogen headlamps
- Covered, open-grate entry steps
- "Wet arm" 3-speed windshield wipers
- Forward swing doors for easy, safe entry



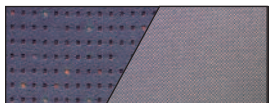
Engine

Model	Mitsubishi 4M50
Type	DOHC 4-stroke cycle, water-cooled, turbocharged, intercooled diesel
No. of cylinders	Four in-line
Piston displacement	299.0 cu.in. (4.9 liter)
Max. output (SAE, gross)	147 hp @ 2700 rpm
Max. torque (SAE, gross)	347 lb.-ft. @ 1600 rpm
Air cleaner	Dry paper element with snorkel
Starter	12-volt
Alternator	12-volt, 100-amp
Cold weather starting aid	Individual ceramic-tipped glow-plugs

Body Colors

- Natural White 
- Arcadia Silver 
- Jupiter Green 
- Mars Red 
- Shannon Blue 

Fabric Style

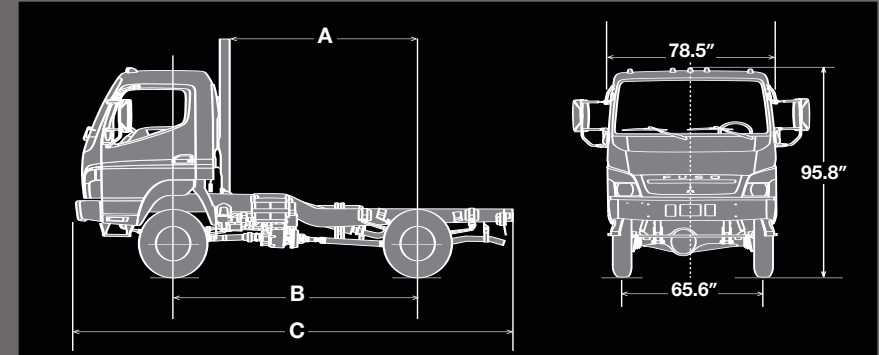
- Blue and Gray Cloth 



FG140 Specifications

Chassis

Clutch	Organic
Clutch size	12.8"
Transmission	
Standard transmission	Mitsubishi 5-speed OD MT w/2-speed transfer case
Optional transmission	n/a
Estimated top speed (mph)	68
Axles	
Front	Full floating type, 5,730-lb. capacity
Rear	Full floating type, 9,480-lb. capacity
Final reduction gear	Single-reduction hypoid gear
Ratio	4.875 MT
Curb weight base model	5,842 lb.
Turning diameter (min. wheelbase)	37.7 ft.
Tires (premium)	Single front, dual rear
Size	235/85R16 10PR Traction all positions
Disc wheel	16" x 6"/6-lug
Steering	Ball-nut-type with integral-type hydraulic power booster Tilt/telescoping steering column with steering lock
Windows/door locks	Power
Suspension	
Front	Laminated leaf springs with shock absorbers
Rear	Laminated leaf springs with shock absorbers
Brakes	
Service	Drum, hydraulic type with vacuum servo assist with ABS
Parking	Drum/driveline, internal expanding shoe
Exhaust	Vacuum actuated
Frame	
Type	Ladder/drop/tapered
Section modulus	6.95 cu.in.
Yield strength	44,000 psi
RBM per rail	305,800 lb.-in.
Height/width	32.4"/29.5"
Fuel tank	33-gallon side mount
Electrical system	Two 12-volt, maintenance-free batteries – 799 CCA EA
Vehicle safety	Energy-absorbing steering wheel, crush bars in doors, daytime running lights and ABS standard



Dimensions

A. Usable cab to rear axle	87.4"	111.0"
B. Wheelbase	112.6"	136.2"
C. Overall length (end of frame)	200.3"	223.9"
Body size accommodated	12'	14' 16'

Weight (lb.)*

GVWR/GAWR	14,050	Front 5,730	Rear 9,480
GCWR	17,045		
Max. body-payload capacity	8,208		

*Weight approximate. See dealer for details.



MITSUBISHI FUSO
TRUCK OF AMERICA, Inc.

2015 Center Square Road
Logan Twp., NJ 08085

For the dealer nearest you,
or for more information,
visit our web site at:
www.mitfuso.com

Vehicle specifications are subject to change without notice. Photos and descriptions included on this spec sheet may vary in comparison to actual vehicle models.

For warranty limitations and details, see your local dealer.

♻️ PRINTED IN THE U.S.A. ON
RECYCLED AND RECYCLABLE PAPER 3/06.
©2006 MITSUBISHI FUSO TRUCK OF
AMERICA, Inc.